

Owner's Manual

Truck camera

Model: CM-R1000P



Specifications:

Image Device:	1/3" Color CMOS PC1089
TV System:	NTSC
Effective Pixels:	728 x 488 pixels
Sensing Area:	0.18 inch x 0.14 inch
Scanning System:	2:1 Interlace
Sync. System:	Internal
Resolution:	500 TV Lines
Minimum Illumination:	0.1 Lux (day), 0 Lux (with IR)
Microphone:	Built in microphone
Horizontal Sync. Freq.:	15.734KHz
Video Output:	1.0 vp-p, 75 Ohm
Gamma Consumption:	0.45
AGC:	Auto
S/N Ratio:	+48 dB
White Balance:	Auto
Electronic Shutter:	1/60 - 1/100,000 second
BLC:	Auto
Current Consumption:	Day: 12V / 55mA; Night: 12V / 120mA
Power Supply:	DC 9 - 16V
Operating Temperature:	-22°F ~ 158°F, RH 95% max.
Lens:	f=2.8mm, F=2.0
Lens Angle:	120°

Product features:

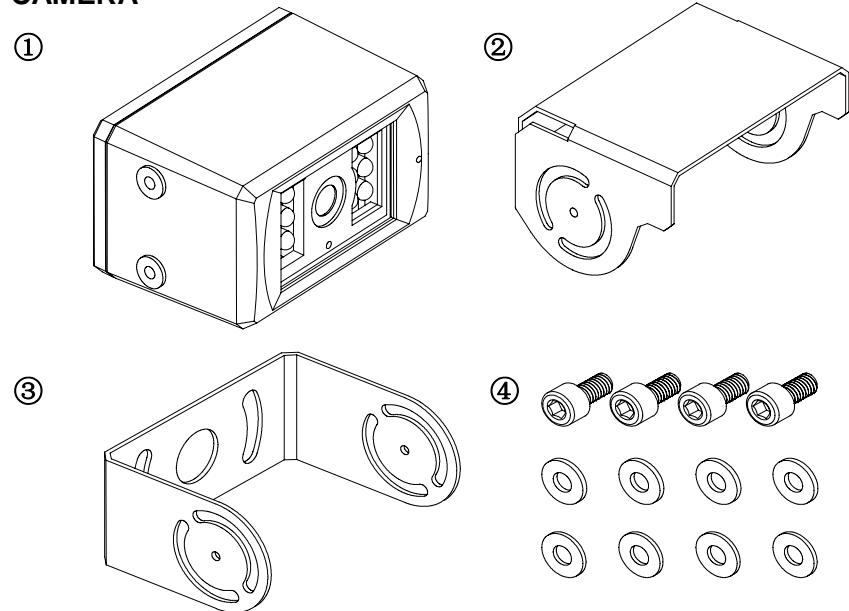
1. Waterproof: IP69K approved
2. Nightvision distance: approx. 39ft (18 IR lights)
3. Day / Night sensor for automatic adjustment
4. Wider viewing angle up to 120 degrees

Precautions:

1. Be cautious when mounting camera and wiring near fuel tank.
2. The device is designed to work with +12 volt DC power supply.

Assembly:

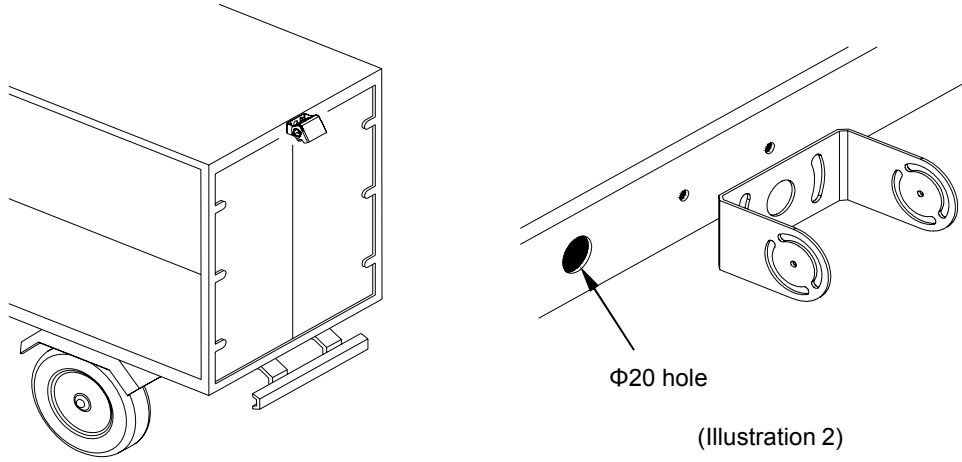
■ CAMERA



- | | |
|------------------------------------|----|
| ① Camera (und detachable) | x1 |
| ② Sunshield for camera | x1 |
| ③ U-bracket for camera | x1 |
| ④ Assembly parts for U-bracket | |
| ● Washer (nylon) | x4 |
| ● Washer (stainless steel) | x4 |
| ● Hex head screw (stainless steel) | x4 |

Installation:

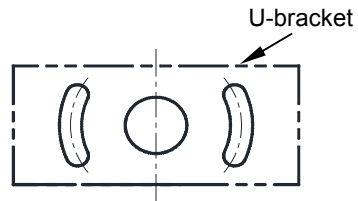
- (1) Find an appropriate location for installation (Illustration 1).
- (2) Drill holes according to the size of U-bracket as illustration 3 and fix the U-bracket as illustration 2.



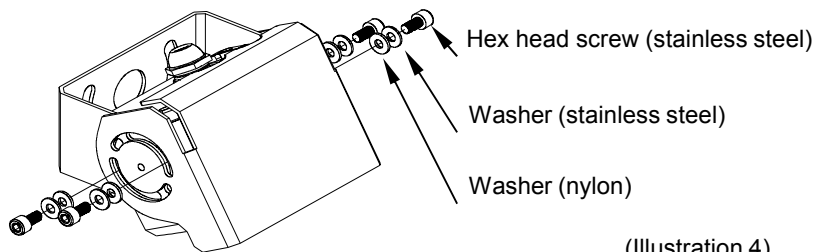
(Illustration 1)

(Illustration 2)

- (3) Drill a $\Phi 20$ mm hole next to the U-bracket (Illustration 2).
- (4) Fix the camera to the U-bracket (illustration 4).

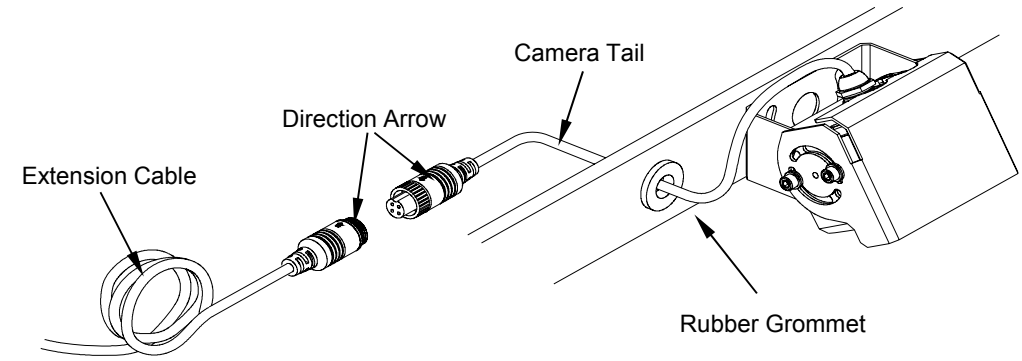


(Illustration 3)



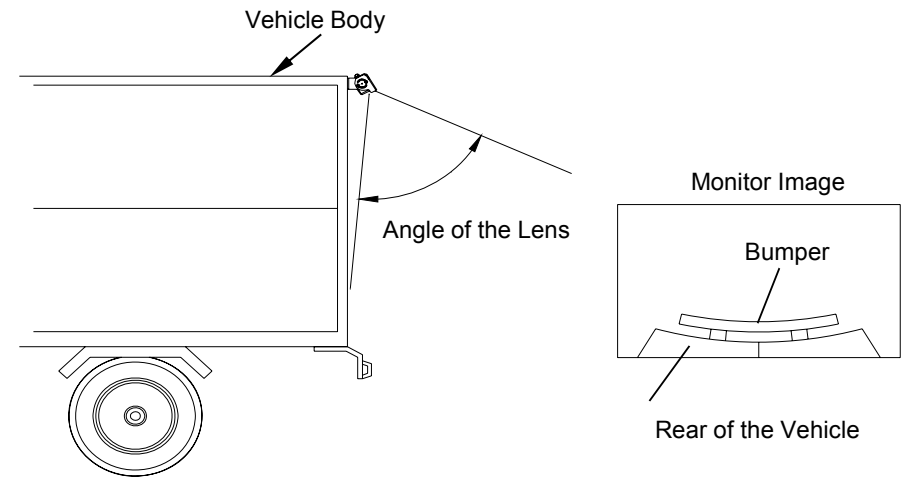
(Illustration 4)

- (5) Connect the camera tail and the extension cable inside the car (Illustration 5).



(Illustration 5)

- (6) Loosen the screw between the camera and the fixed U-bracket and adjust the camera to a best viewing angle (Illustration 6).



(Illustration 6)